

Article datasheet

Retaining Bolt f. Riveting M4x8 | 2.0 - 2.3 Plain Aluminum

Article-No.: 005.60.842

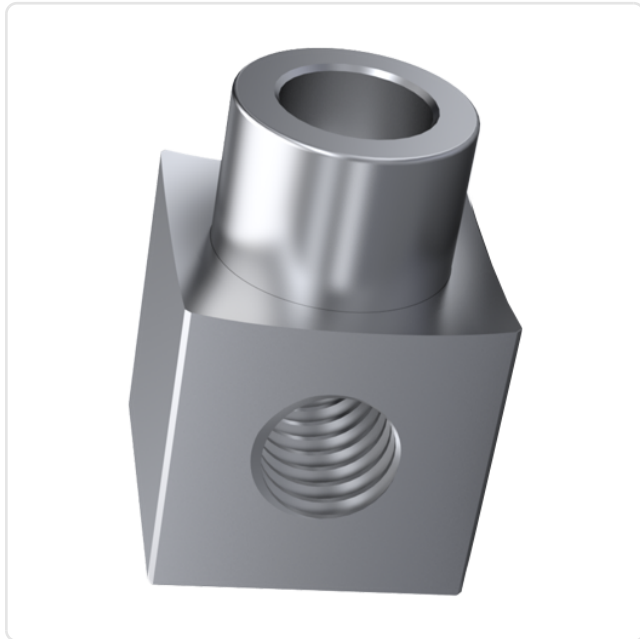
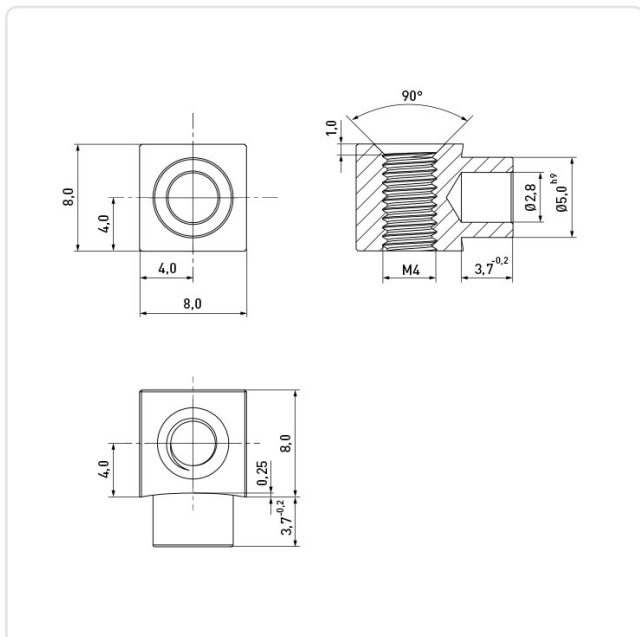


Image may be similar

Finish:	Plain
Length [mm]:	11.7
Material:	Aluminum ENAW-2011 / AlCu6BiPb
Material Group:	Aluminum
Panel Thickness [mm]:	2,0 - 2,3
Thread 1 / Hole 1:	M4
Thread 1 Length [mm]:	8
Thread 2 / Hole 2:	Ø 2,8
Thread 2 Length [mm]:	3.7
Weight:	1.26g
Conformities:	



You can find all
information on the web on
our article detail page



Would you like individual advice?

We look forward to your email to products@ettinger.de.

Subject to change and errors.