

Article datasheet

End-Sleeve DIN 46228 4mm²/15mm Copper,tinned

Article-No.: 018.92.405

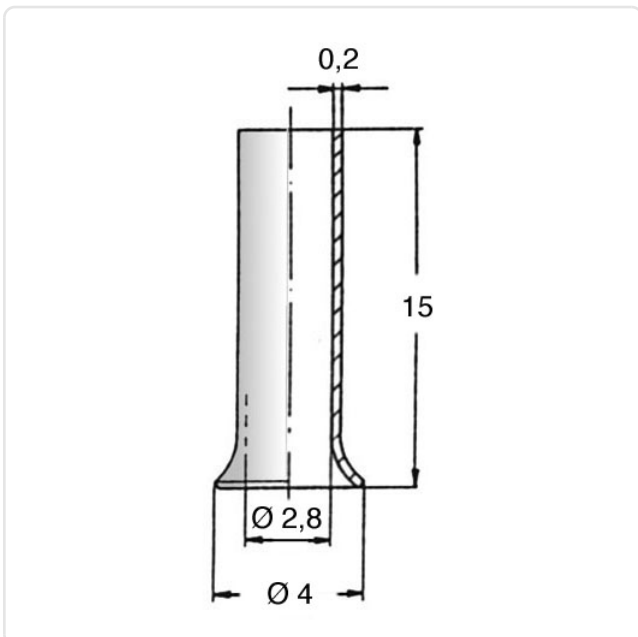


Image may be similar

Color:	Silver
Finish:	Tin-Plated
Length [mm]:	15
Material:	Electrolytic Copper
Material Group:	Electrolytic Copper
Wire Cross Section [mm ²]:	4.0
Weight:	0.28g
Conformities:	



You can find all
information on the web on
our article detail page



Would you like individual advice?

We look forward to your email to products@ettinger.de.

Subject to change and errors.