

Article datasheet

Solderless Terminal DIN46237 M6 4-6mm² Polyamid yellow UL-E329382

Article-No.: 018.35.764

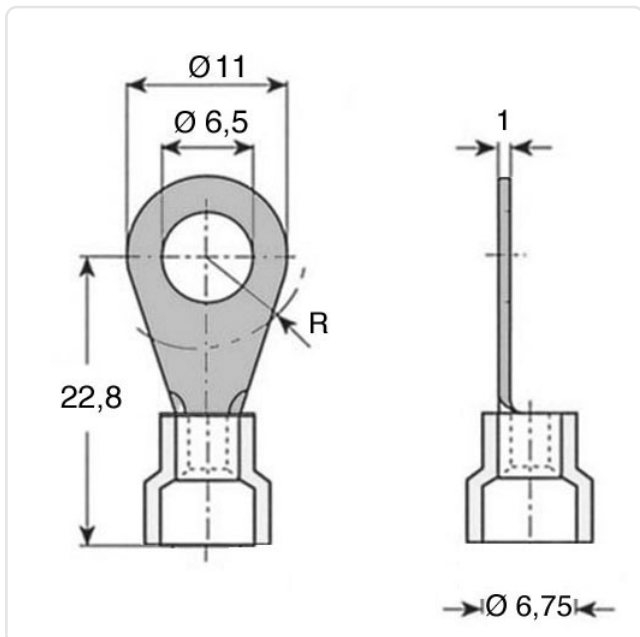


Image may be similar

Color:	Yellow
DIN/ISO:	DIN46237-A
Finish:	Tin-Plated
For Thread Size:	M6
Insulation:	Polyamide
Material:	Electrolytic Copper
Material Group:	Electrolytic Copper
Outer Diameter [mm]:	11
Wire Cross Section [mm ²]:	4.0-6.0
Weight:	1.9g
Conformities:	



You can find all
information on the web on
our article detail page



Would you like individual advice?

We look forward to your email to products@ettinger.de.

Subject to change and errors.