

Article datasheet

Fuseholder inline for 6.3x32mm fuse Polybutene/10A-50Vmax/max.1.0mm²

Article-No.: 015.06.691

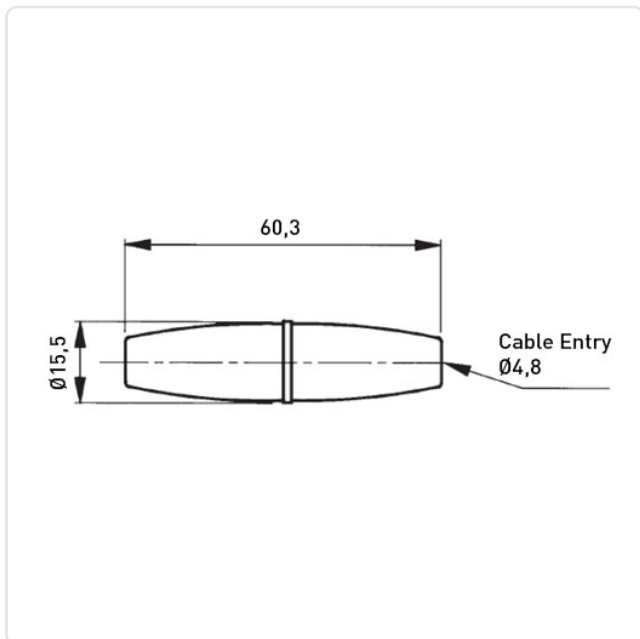


Image may be similar

Amperage [A]: 10
Fuse Size [mm]: 6.3x32.0
Material: PB - Polybutene
Material Group: Plastic
Model: Cable Fuse Holder
Protection Code: PC1
Weight: 8.08g
Conformities:



You can find all
information on the web on
our article detail page



Would you like individual advice?

We look forward to your email to products@ettinger.de.

Subject to change and errors.