

Article datasheet

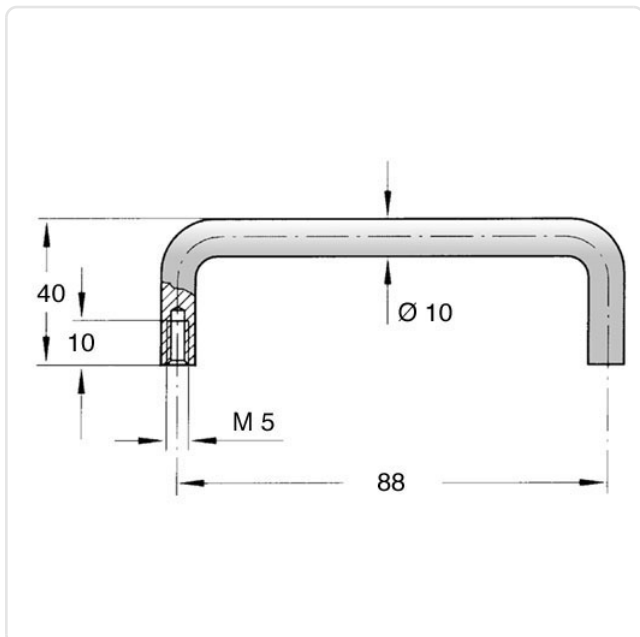
Round Handle 88/40/ø10mm M5 Aluminium black

Article-No.: 029.09.260



Image may be similar

Color:	Black
Dist. Mounting Holes [mm]:	88
Finish:	Anodized, Black
Height [mm]:	40
Material:	Aluminum ENAW-5754 / AlMg3, lead-free
Material Group:	Aluminum
Model:	Bow-Shaped Handle
Thread Size:	M5
Width [mm]:	10
Weight:	29g
Conformities:	



You can find all information on the web on our article detail page

Would you like individual advice?

We look forward to your email to products@ettinger.de.

Subject to change and errors.