

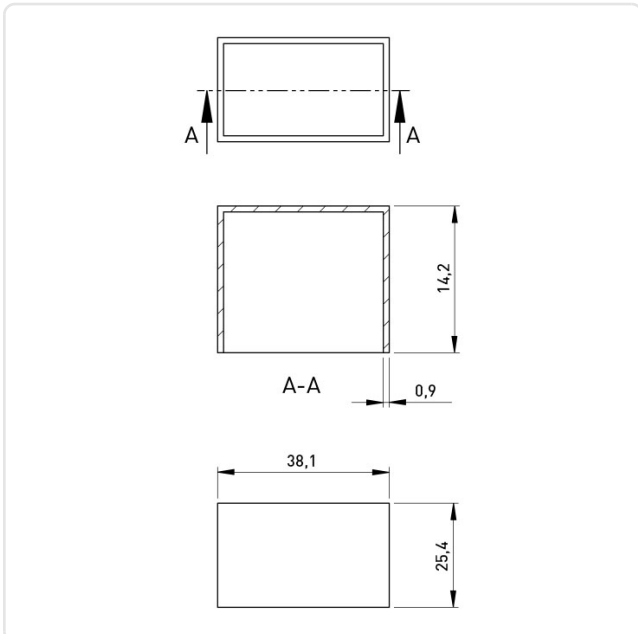
Article datasheet

Modular Housing

Article-No.: 088.38.140



Image may be similar



Color: Black
Flammability Class: UL94-V0
Height [mm]: 14.2
Length [mm]: 38.1
Material: DAP - Diallyl Phtalate
Material Group: Plastic
Model: Enclosure without Base Plate
Width [mm]: 25.4
Weight: 4.72g
Conformities:



You can find all
information on the web on
our article detail page

Would you like individual advice?

We look forward to your email to products@ettinger.de.

Subject to change and errors.