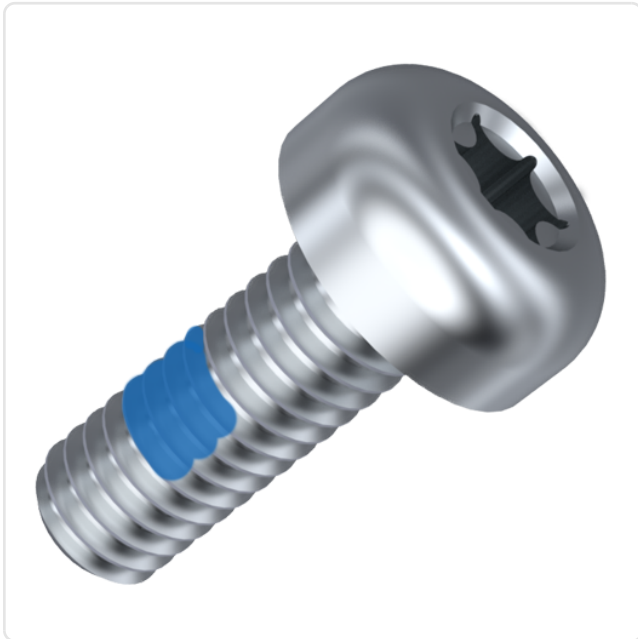


Article datasheet

Thread-Locking Screw ISO14583 M4x16 Galvanized Steel 4.8 Torx Blue PA Patch

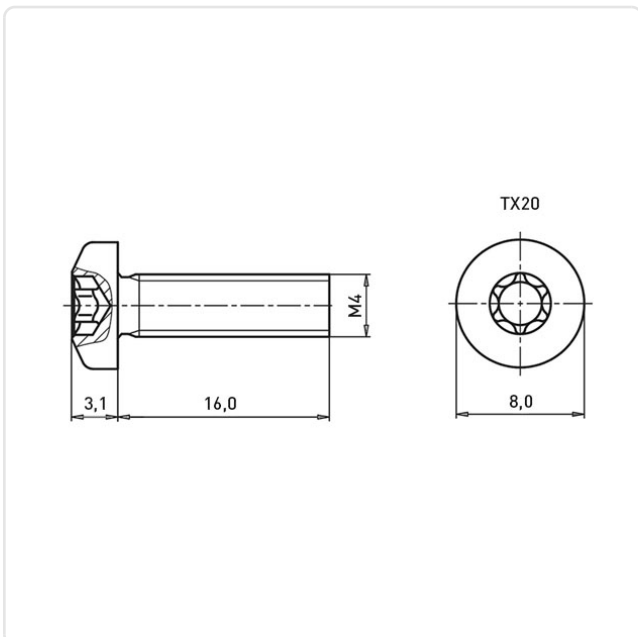
Article-No.: 083.55.466



Actuator Size:	Torx T20
DIN/ISO:	ISO14583
Drive Type:	TORX
Finish:	Galvanized, Blue, 5 µm, A2K
Head Diameter [mm]:	8
Head Height [mm]:	3.1
Head Shape:	Pan Head
Length [mm]:	16
Material:	Steel 4.8
Material Group:	Stahl
Thread Locking:	Blue Nylon Patch
Thread Size:	M4
Conformities:	



Image may be similar



You can find all
information on the web on
our article detail page

Would you like individual advice?

We look forward to your email to products@ettinger.de.

Subject to change and errors.