

Article datasheet

Drive Rivet Ø2.6 | 2.0-3.0 Polyamide 6.6 black

Article-No.: 072.21.230

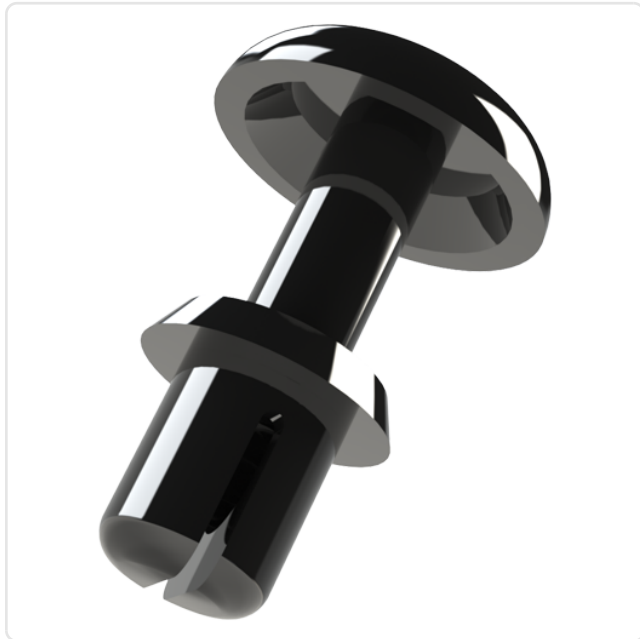
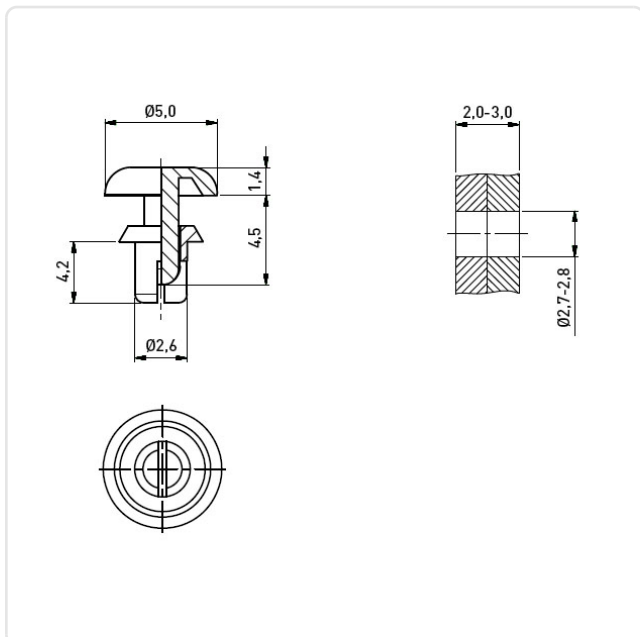


Image may be similar

Color:	Black
Flammability Class:	UL94-V2
Head Diameter [mm]:	5
Head Height [mm]:	1.4
Length [mm]:	4.2
Material:	PA 6.6
Material Group:	Plastic
Model:	removable
Mounting Hole Range [mm]:	Ø 2.7-2.8
Panel Thickness [mm]:	2,0-3,0
Rivet Diameter [mm]:	2.6
Weight:	0.04g
Conformities:	



You can find all information on the web on our article detail page

Would you like individual advice?

We look forward to your email to products@ettinger.de.

Subject to change and errors.