

Article datasheet

Canoe Clip ø3.1mm/1.6-3.2mm panel Polyamid 6.6 natural

Article-No.: 072.03.341

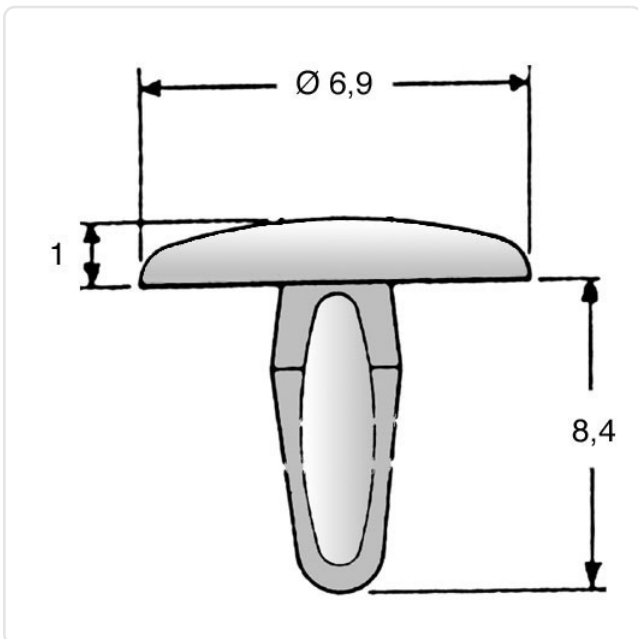


Image may be similar

Color: Natural
Flammability Class: UL94-V2
Head Diameter [mm]: 6.9
Material: PA 6.6
Material Group: Plastic
Mounting Hole [mm]: 3.1
Panel Thickness Range [mm]: 1.6 - 3.2 mm
Weight: 0.08g
Conformities:



You can find all information on the web on our article detail page



Would you like individual advice?

We look forward to your email to products@ettinger.de.

Subject to change and errors.