

Article datasheet

Pan Head Screw ISO7045 M4x8 Stainless Steel A4 Cross Recessed

Article-No.: 001.17.439

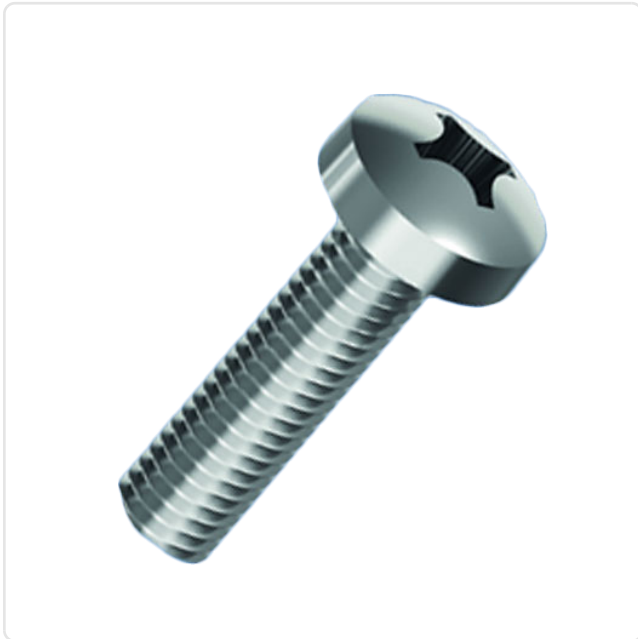
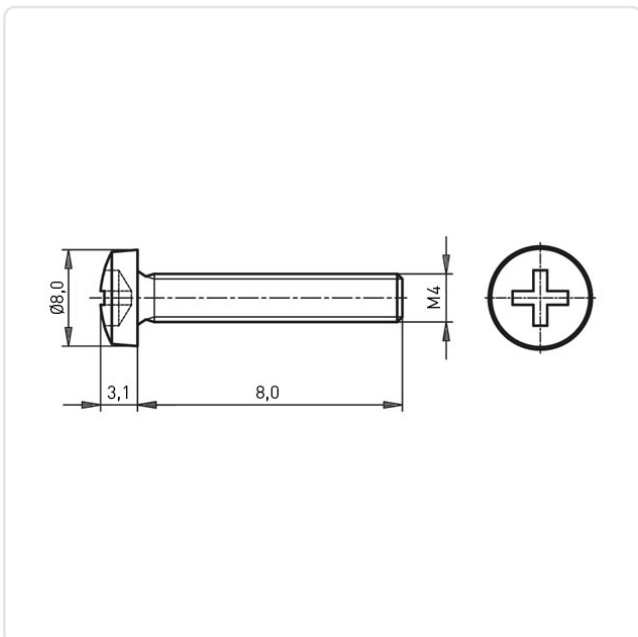


Image may be similar

Actuator Size:	Phillips PH2
DIN/ISO:	ISO7045
Drive Type:	Cross Recess / Phillips-H
Finish:	Plain
Head Diameter [mm]:	8
Head Height [mm]:	3.1
Head Shape:	Pan Head
Length [mm]:	8
Material:	Stainless Steel AISI 316 / A4
Material Group:	Stahl rostfrei
Thread Size:	M4
Weight:	1.47g
Conformities:	



You can find all information on the web on our article detail page

[Pan Head Screw ISO7045 M4x8 Stainless Steel A4 Cross Recessed](#)

Would you like individual advice?

We look forward to your email to products@ettinger.de.

Subject to change and errors.